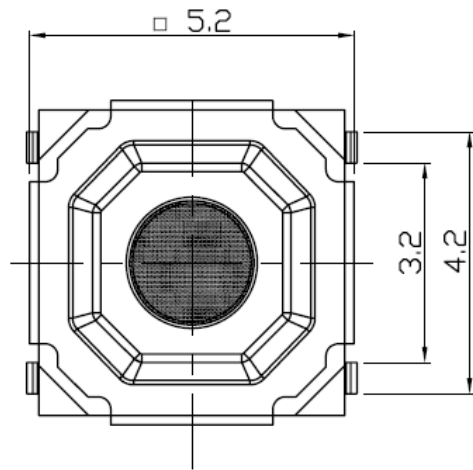
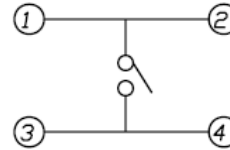
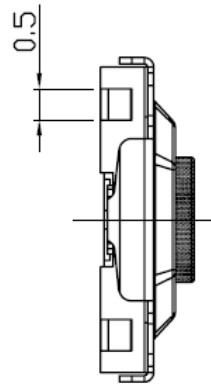


DIMENSIONS



CIRCUIT DIAGRAM

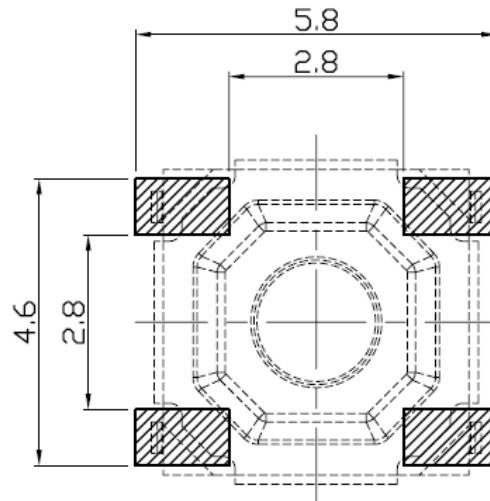
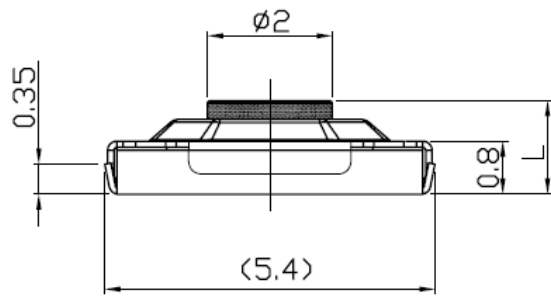


SPECIFICATIONS :

1. RATING : DC 12V, 50mA Max
2. CIRCUIT : 1C - 1P
3. OPERATING FORCE : N=160±30gf or R=250±50gf
4. CONTACT RESISTANCE : 100mΩ Max
5. TRAVEL : 0.25±0.1 mm
6. LIFE : 100,000 Cycles Min

P.C.B MOUNTING PATTERN DIMENSION

The following soldering patterns are recommended for reflow soldering



F	3.0
E	1.6
D	1.7
C	2.3
B	4.3
A	1.5
H	mm

